

Current Transformer for RHF-Active

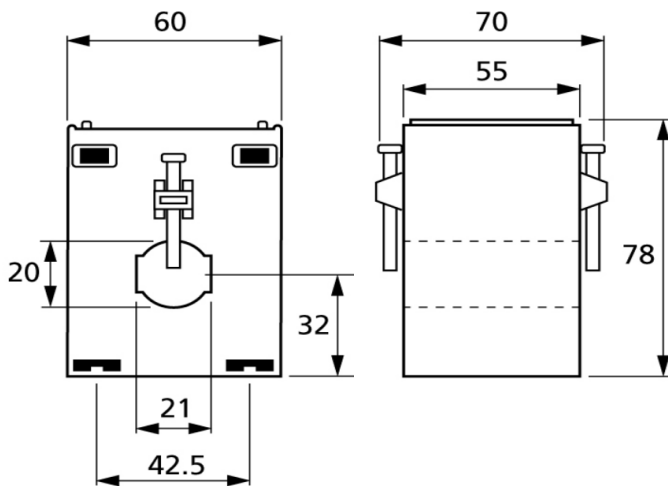


Technical Specifications

Product type	High Accuracy current transformer for use with RHF-Active based on SiC technology. Customized design from manufacturer Hobut in enclosure CT162D and CT164D.
Colour	Red or Grey
UL Certified	Manufacturer reference E353992
Certification	CE / UKCA / UL
Output	5A
VA Rating	1,5-2,5VA
Accuracy class	0.2s - 0.5s
System voltage	Rated system voltage 0.72/3kV.
Conforms to	IEC185, BS 7626, BSEN 60044-1, IEC 60044-1, BSEN 61869-2 and IEC 61892-2.
Ambient temp	Ambient temperature range -5°C to +50°C

Order Code	Order number	Ratio	VA	Class	Looped*	Size
CT 1.5VA / 30A looped / 0.2	R00012003	30/5	1.5	0.2	1 x	CT162D
CT 1.5VA / 40A looped / 0.2s	R00012004	40/5	1.5	0.2s	1 x	CT162D
CT 2.5VA / 50A looped / 0.2s	R00012005	50/5	2.5	0.2s	1 x	CT162D
CT 1.5VA / 60A / 0.2	R00012006	60/5	1.5	0.2	no	CT162D
CT 1.5VA / 80A / 0.2s	R00012007	80/5	1.5	0.2s	no	CT162D
CT 2.5VA / 100A / 0.2s	R00012008	100/5	2.5	0.2s	no	CT162D
CT 2.5VA / 150A / 0.2s	R00012009	150/5	2.5	0.2s	no	CT162D
CT 2.5VA / 200A / 0.5s	R00012010	200/5	2.5	0.5s	no	CT164D
CT 2.5VA / 250A / 0.5s	R00012011	250/5	2.5	0.5s	no	CT164D

CT 162D



CT 164D

